

thermo

hygiene doors



TDH40
40mm thickness



Amenities/Office Door for Hygiene Areas



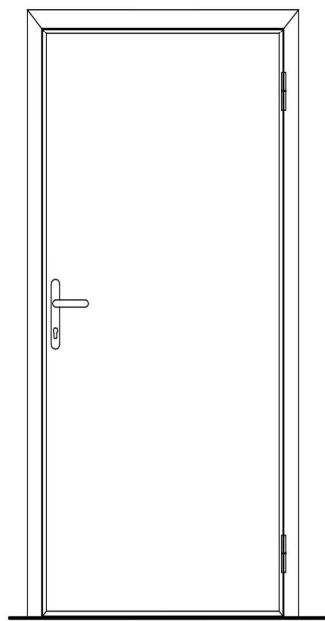
- ✔ Quality robust construction economically priced
- ✔ Focused attention to aesthetic finish
- ✔ Powder coated finish to frame and leaf
- ✔ Free from organic materials
- ✔ Choice of GRP, Stainless Steel & Colour Finish
- ✔ Suited to Panel or Block work with full range of options
- ✔ Available up to 1.0m x 2.2m standard sizes

Amenities/Office Hygiene Door

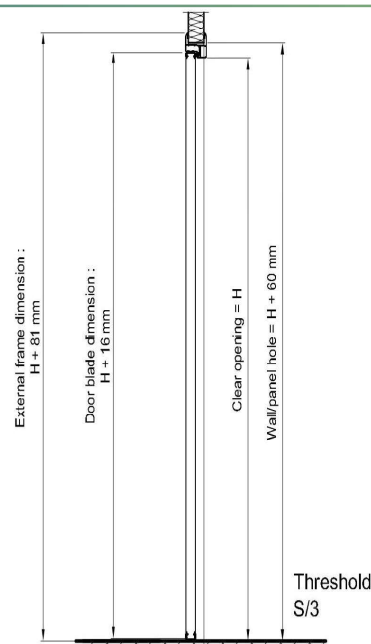
TDH40

Our Amenity Door is designed to be both a robust long life door as well as satisfying a competitive price point.

Designed with changing areas, production office, production floors, and machine room use in mind, the 40mm thick door leaf is fitted with butt hinges that are mounted onto a white powder coated aluminium frame to match door frame. This frame is capable of clamping any panel thickness up to 100mm.



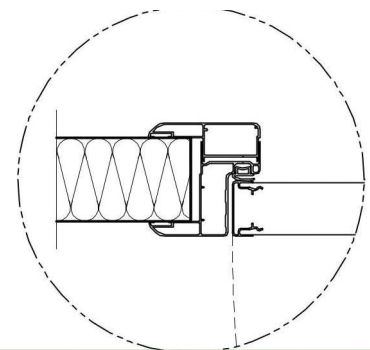
FRONT ELEVATION



SIDE ELEVATION

Applications:

- ☑ Changing Rooms
- ☑ Production Offices
- ☑ Production Floors
- ☑ Machine Rooms



FRAME DETAIL



SPECIFICATION

Door leaf

40mm door thickness
High Density Insulated Core
Wood Free
Left Hand/ Right Hand opening option

Frame detail

Adjustable counter frames for mounting on 80mm & 100mm panel
Rubber Gasket Seal (80mm & 100mm)

Fittings

Alluminium Hinge
Door Lock & Lever Handle

Optional extras

Panic Bar with external access
Push Plates / Pull Handles
Door Closers
Drop Gasket
Circular Vision Panels
Impact Bar / Kick Plates
Maglock compatible
Double door option available on request

Finish

Stainless Steel / GRP / Colour Steel

Note

900mm x 2100mm clear ope stock doors available off the shelf. Left hand or right hand - suitable for 80mm or 100mm wall thickness